

## LIST OF SPARE PARTS

N°	DESCRIPTION	CODES	
		Planet 5 GAS	Planet 8 GAS
1	Back panel	FIAN0240	FIAN0219
2	Fan motor 50Hz	MOTO0034	MOTO0034
	Fan motor 60Hz	MOTO0043	MOTO0043
3	Burner	BGAS0019	BGAS0019
4	Nozzle	-	-
5	Left side panel	FIAN0239	FIAN0218
6	Right side panel	FIAN0238	FIAN0217
7	Fan	VENT0001	VENT0001
8	Gasket door	GUAR0032	GUAR0032
9	Door internal glass	CRIS0051	CRIS0047
10	Knob for door handle	MANI0064	MANI0064
11	Halogen lamp	LAMP0045	LAMP0045
12	Lamp holder	LAMP0044	LAMP0044
13	Door external glass	CRIS0052	CRIS0048



PLATON SERVICE  
 8 (800) 500-34-41  
 www.platonservice.com

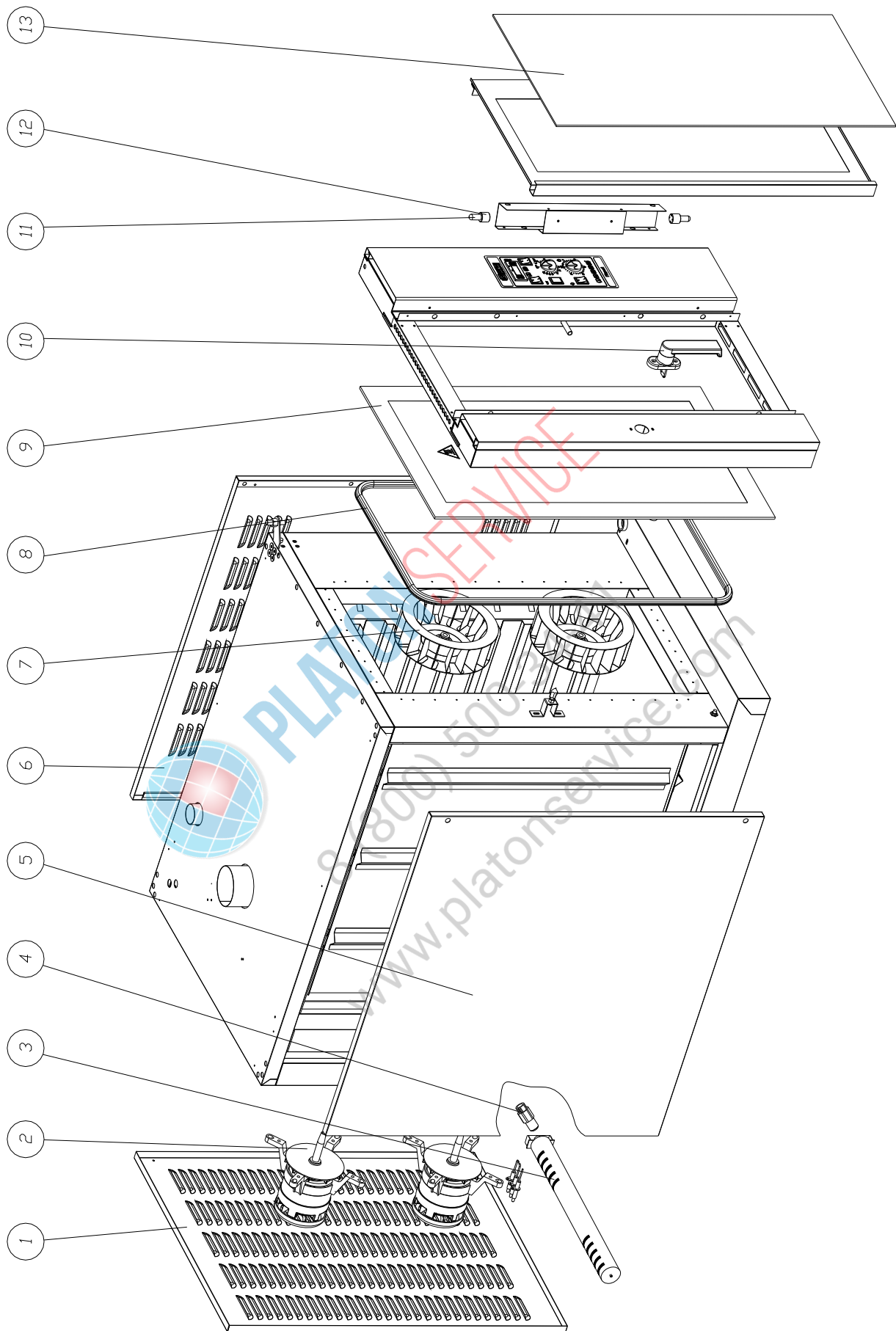


Figure 10-5 Exploded view.

**LIST OF ELECTRICAL PARTS  
ELECTROMECHANICAL VERSION**

N°	DESCRIPTION	CODES Planet 5 GAS	CODES Planet 8 GAS
1A	Micro-switch for exhaust valve	ELET0001	ELET0001
1B	Micro-switch for door	ELET0327	ELET0327
2	safety thermostat 500° C	TERM0005	TERM0005
3	Timer	ELET0062	ELET0062
4	Handle	MANI0021	MANI0021
5	Green light switch 0-1	INTE0010	INTE0010
6	Red bip "0" reset switch	INTE0012	INTE0012
7	Green lamp	LAMP0007	LAMP0007
8	Yellow light switch 0-1	INTE0009	INTE0009
9	Thermo regulator digital	TERM0012	TERM0012
		TERM0060	TERM0060
10	Energy regulator	TERM0014	TERM0014
		TERM0050	TERM0050
11	Steam control unit	ELET0136	ELET0136
12	Probe	TERM0023	TERM0023
13	Timer motor for fan reversal	ELET0436	ELET0436
14	Capacitor	ELET0100	ELET0100
15	Control switch	ELET0002	ELET0002
		ELET0160	ELET0160
		ELET0432	ELET0432
16	Grey port 10 MMQ	ELET0463	ELET0463
17	Earth terminal 10 MMQ	ELET0462	ELET0462
18	Flame control	ELET0134	ELET0134
19	Ignition transformer	ELET0135	ELET0135
20	Kit electrode	ASSM0769	ASSM0769
21	Wire for ignition electrode	CAVI0056	CAVI0056
22	Wire for flame electrode	CAVI0057	CAVI0057
23A	Solenoid valve Connector	ELET0076	ELET0076
23B	Solenoid valve Connector rectified	ELET0075	ELET0075
24	Gas valve 50 Hz	GASI0007	GASI0007
	Gas valve 60 Hz	GASI0002	GASI0002
25	Transformer	ELET0003	ELET0003
26	Water filter	FLTR0002	FLTR0002
27	Water valve	ELET0119	ELET0119
28	Volumetric meter	ELET0085	ELET0085
29	Halogen lamp transformer	ELET0442	ELET0442
30	Fuse box	ELET0440	ELET0440
31	Fuse	ELET0204	ELET0204
32	Steaming unit keyboard	ELET0138	ELET0138
33	Adhesive membrane	PANN0274	PANN0274

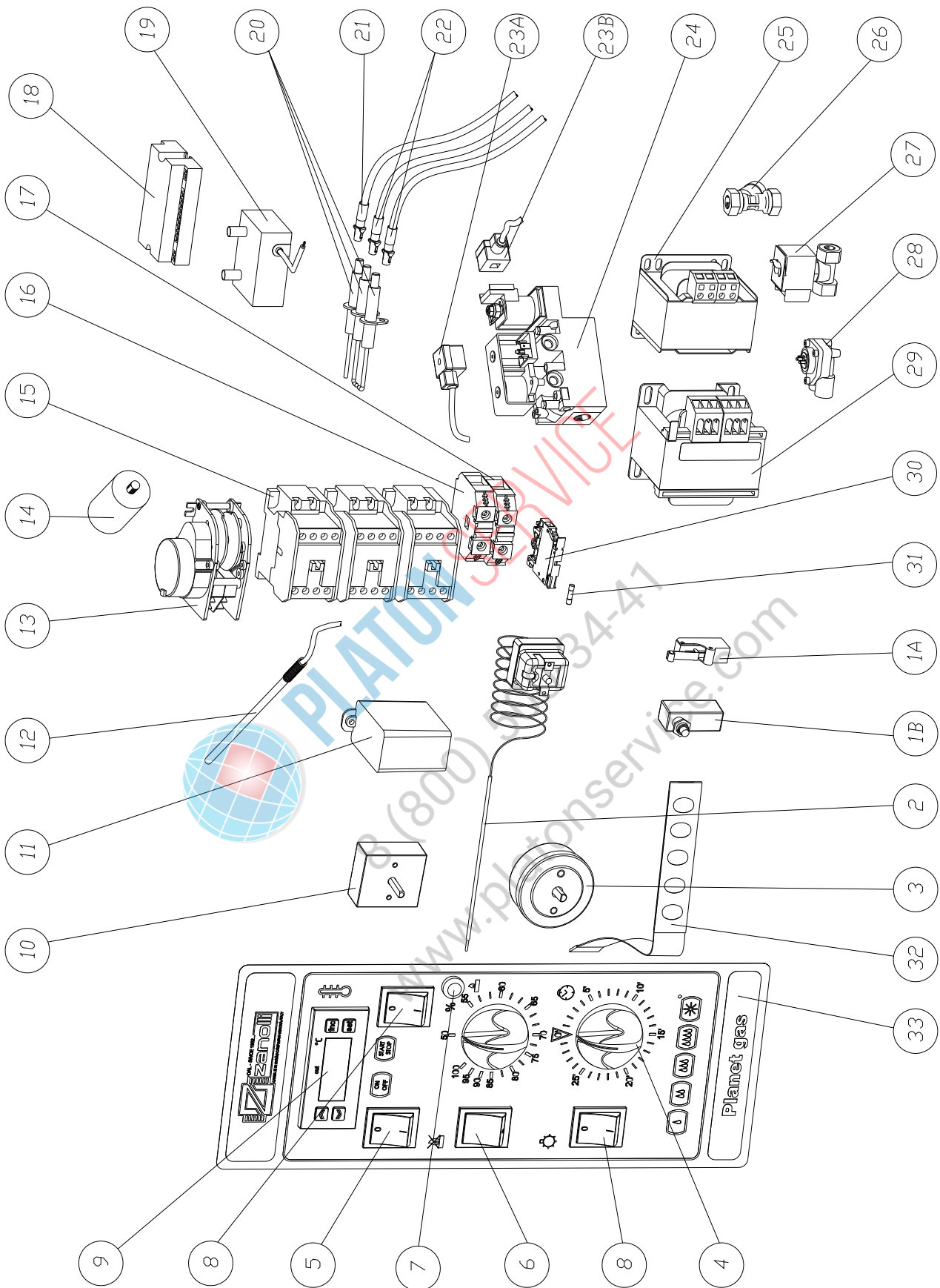


Figure 10-6 Exploded view of electrical parts (electromechanical version).

**LIST OF ELECTRICAL PARTS  
ELECTRONIC VERSION**

<b>N°</b>	<b>DESCRIPTION</b>	<b>CODES Planet 5 gas</b>	<b>CODES Planet 8 gas</b>
1	Micro-switch for door	ELET0327	ELET0327
2	safety thermostat 500° C	TERM0005	TERM0005
3	Relè board	ELET0451	ELET0451
4	Encoder	ELET0428	ELET0428
5	Encoder handle	MANI0081	MANI0081
6	Membrane adhesive	PANN0277	PANN0277
7	Base board	ELET0427	ELET0427
8	Base board Display	ELET0429	ELET0429
9A	Switch protection	ELET0232	ELET0232
9B	Switch	ELET0001	ELET0001
9C	Switch lever	ELET0454	ELET0454
10	Motor engine exhaust fumes	MOTO0093	MOTO0093
11	Probe PT1000	TERM0049	TERM0049
12	Capacitor	ELET0100	ELET0100
13A	Relè 8A	ELET0455	ELET0455
13B	Relè 16A	ELET0456	ELET0456
14	Socket relè	ELET0457	ELET0457
15	Control switch	ELET0002	ELET0002
		ELET0160	ELET0160
		ELET0432	ELET0432
16	Grey port 10 MMQ	ELET0463	ELET0463
17	Earth terminal 10 MMQ	ELET0462	ELET0462
18	Flame control	ELET0134	ELET0134
19	Ignition transformer	ELET0135	ELET0135
20	Kit electrode	ASSM0769	ASSM0769
21	Wire for ignition electrode	CAVI0056	CAVI0056
22	Wire for flame electrode	CAVI0057	CAVI0057
23A	Solenoid valve Connector	ELET0076	ELET0076
23B	Solenoid valve Connector rectified	ELET0075	ELET0075
24	Gas valve 50 Hz	GASI0007	GASI0007
	Gas valve 60 Hz	GASI0002	GASI0002
25	Transformer	ELET0003	ELET0003
26	Water filter	FLTR0002	FLTR0002
27	Reducer pressure	GASI0062	GASI0062
		GASI0006	GASI0006
28	Water valve	ELET0119	ELET0119
29	Fuse holder port	ELET0440	ELET0440
30	Fuse	ELET0204	ELET0204
31	Lamp Transform	ELET0442	ELET0442
32	Transformer electronic card	ELET0420	ELET0420

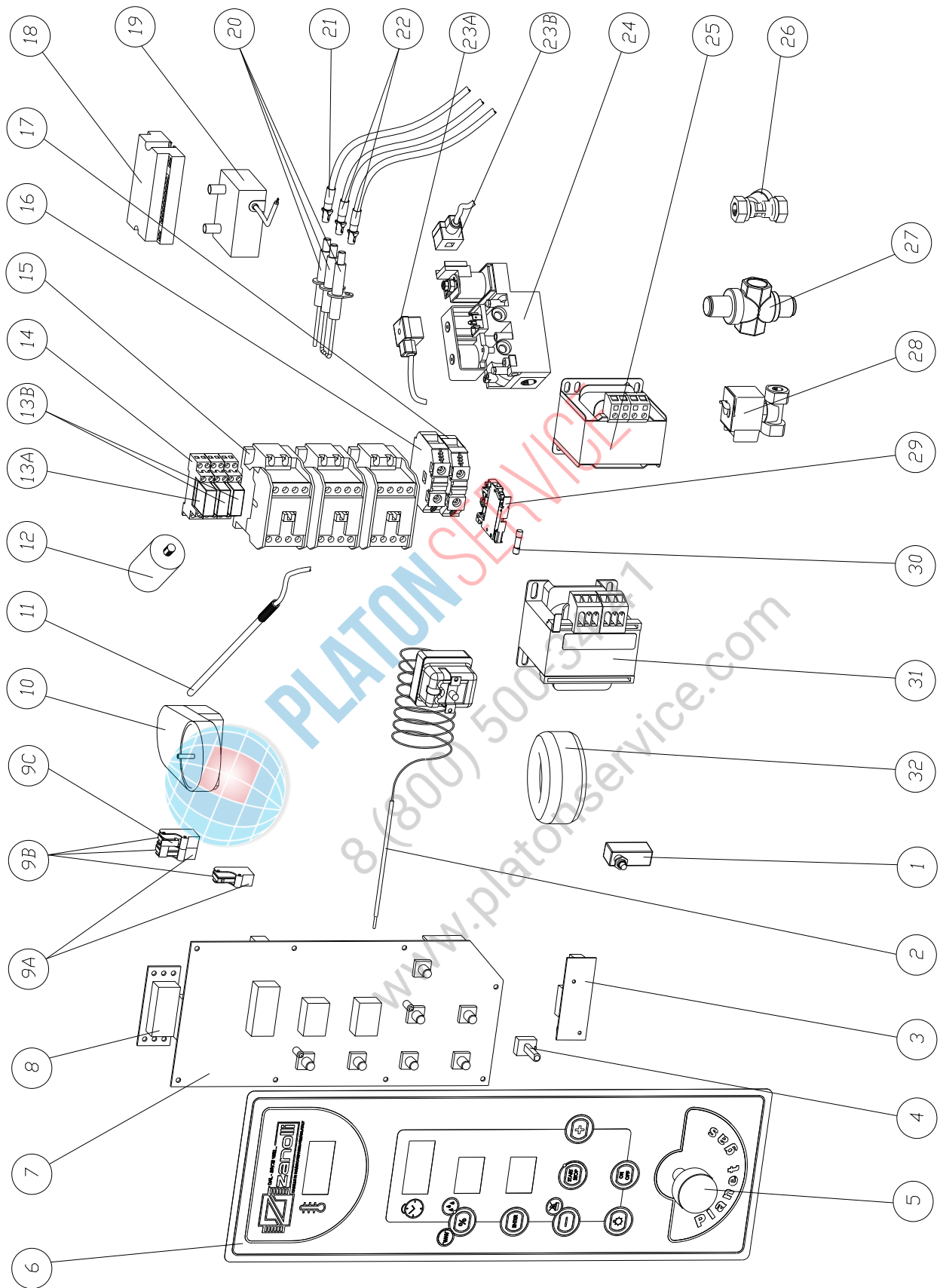


Figure 10-7 Exploded view of electrical parts (electronic version).